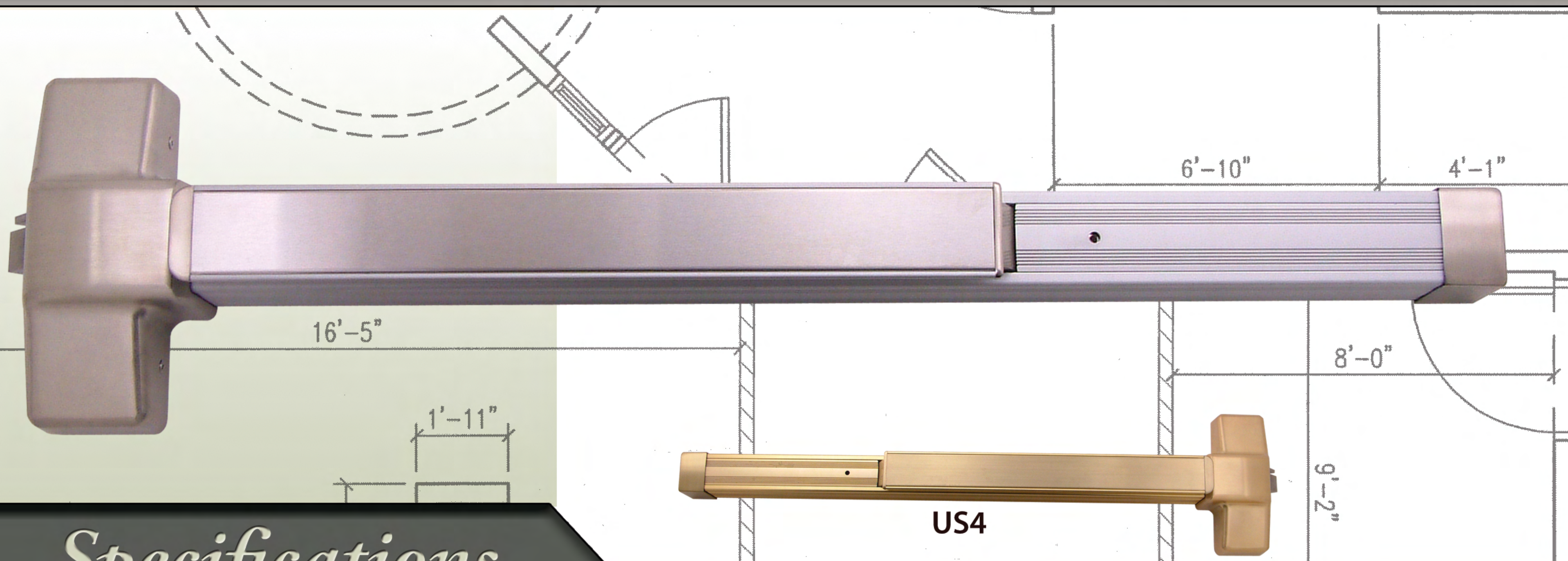


1000 Series

Heavy Duty Rim Exit Device



Specifications

ANSI: Meets & Exceeds ANSI A156.3 - Grade 1 Standards

UL Listing: UL Listed for Panic Exit Hardware

Fire Rating: UL Listed for "A" Label 3 Hour Fire Doors

ADA: Meets ADA requirements ANSI A117.1 with Lever Trim

Handing: Non Handed - Completely Reversible

Construction: Heavy Duty Extruded Anodized Aluminum Channel & Steel Chassis

Finishes: US3, US4, US10B, US26 & US32D on Headcover, Pushbar & End Cap

Latchbolt: Deadlocking latchbolt with 5/8" projection

Strike: Roller Strike with 5/8" projection & 1/8" shim

Dogging: 5/32" Hex Key Dogging Standard on Panic Exit Hardware

Cylinder Dogging: Cylinder Dogging Kits available for new or existing exit devices

Device Lengths: 33" for 3'-0" wide doors and 42" for 3'-8" to 4'-0" wide doors

Min. Door Width: 33" & 42" devices can be cut down to fit on 2'-8" wide door

Center Case Dim.: 8" Height x 2 7/8" Wide x 2 13/16" Thick - 4 1/2" Minimum stile required

Mechanism Case Dim.: 2 3/16" Height x 2 3/16" Wide

Projection: 3 3/8" Undogged - Pushbar Neutral & 2 13/16" Dogged - Pushbar Depressed

Fasteners: Wood, Machine & Self Tapping Machine Screws (F1000R includes thru bolts)

Trim & Accessories: ASA & latch fillers included, Exterior Trims, Shim Kits & other accessories available

Alarmed Exits: Exit Alarm Kit ALK-1000 available for new or existing devices

Electrification: ELR - Electric latch retraction, ED - Electric dogging, REX - Request to exit, LBM - Latch bolt monitoring available, See electrified section

Warranty: Limited Lifetime Warranty



US32D



US10B



211 Endeavor Drive - PO Box 680
Rogersville, MO 65742
PH 877-258-1262 FX 877-888-0150
www.designhardware.net